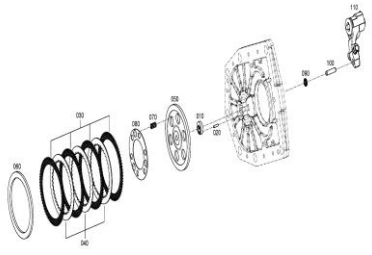
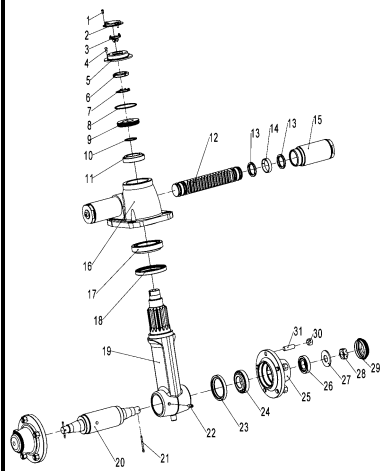


281898501003变速箱GP25-6/Gear-box GP25-6

序号/NO	编码/SN	Name	名称	数量/QTY	备注/Remarks
010	281398524141	PLAIN BEARING(4699.309.208)	平面轴承(4699.309.208)	1	
020	281398524142	CYLINDRICAL PIN(4699.309.091)	圆柱销(4699.309.091)	1	
030	281398524143	OUTER CLUTCH DISK(0501.342.428)	外离合器盘(0501.342.428)	4	
040	281398524144	INNER CLUTCH DISK(0501.342.427)	内离合器盘(0501.342.427)	3	
050	281398524145	PRESSURE DISK(4699.309.072)	止推垫圈(4699.309.072)	1	
060	281398524146	PRESSURE DISK	止推垫圈	1	
---	281398524147	PRESSURE DISK(4699.309.074)	止推垫圈(4699.309.074)	1	
---	281398524148	PRESSURE DISK(4699.309.075)	止推垫圈(4699.309.075)	1	
---	281398524149	PRESSURE DISK(4699.309.073)	止推垫圈(4699.309.073)	1	
070	281398524150	COMPRESSION SPRING(0632.040.021)	压缩弹簧(0632.040.021)	1	
080	281398524151	FIXING PLATE(4699.303.103)	固定板(4699.303.103)	1	
090	281398524152	SEALING RING(0634.502.084)	密封环(0634.502.084)	1	
100	281398524153	PIN	销	1	
---	281398524154	PRESSURE PIN(4699.309.026)	气垫上压力顶杆(4699.309.026)	1	
---	281398524155	PRESSURE PIN(4699.309.030)	气垫上压力顶杆(4699.309.030)	1	
---	281398524156	PRESSURE PIN(4699.309.027)	气垫上压力顶杆(4699.309.027)	1	
---	281398524157	PRESSURE PIN(4699.309.031)	气垫上压力顶杆(4699.309.031)	1	
---	281398524158	PRESSURE PIN(4699.309.028)	气垫上压力顶杆(4699.309.028)	1	
---	281398524159	PRESSURE PIN(4699.309.204)	气垫上压力顶杆(4699.309.204)	1	
---	281398524160	PRESSURE PIN(4699.309.032)	气垫上压力顶杆(4699.309.032)	1	
---	281398524161	PRESSURE PIN(4699.309.033)	气垫上压力顶杆(4699.309.033)	1	
---	281398524162	PRESSURE PIN(4699.309.034)	气垫上压力顶杆(4699.309.034)	1	
---	281398524163	PRESSURE PIN(4699.309.035)	气垫上压力顶杆(4699.309.035)	1	
110	281398524164	BRAKE LEVER(4699.203.063)	刹车杆(4699.203.063)	1	

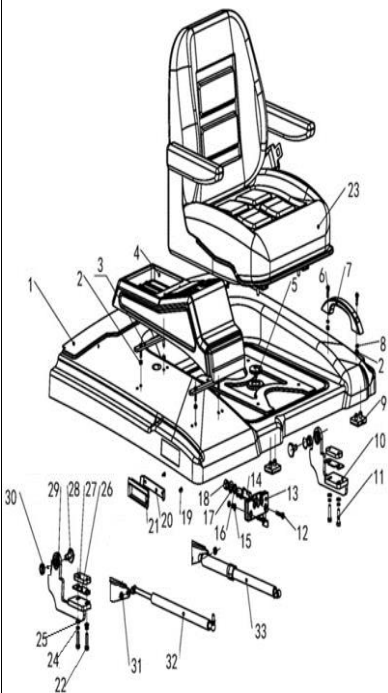




序号/NO	编码/SN	Name	名称	数量/QTY	备注/Remarks
1	910200300011	Screw M5X10	内六角平圆头螺钉M5X10	3	
2	281298510023	Dust cover A0MY4-32101	防尘盖A0MY4-32101	1	
3	281298510024	Angle positionerAQ-Z01N1-40291	转角定位器AQ-Z01N1-40291	1	
4	910200300017	Screw M6X12	内六角平圆头螺钉M6X12	3	
5	281298510025	End cover A1P7-32011	端盖A1P7-32011	1	
6	281298516003	nut M39X1.5-B4832-00039	螺母M39X1.5-B4832-00039	1	
7	281298516013	round nuts with washer 39	圆螺母用止动垫圈39-B5512-00039	1	
8	281298516017	O-ring	O形圈82X2.65-Z6003-08202	1	
9	281298516005	bushing	衬套40X82X13.5(DCQ15-04)	1	
10	281298516022	O-ring	O形圈40X2.65(Z0654-04002)	1	
11	281298516016	bearing	轴承32010UBC	1	
12	281298516011	piston rod body	活塞杆体DCQ15-08	1	
13	281298516020	U type sealing ring	U型密封圈40X50X6(FU0613L0)	4	
14	281298516021	support ring	支承环45X50X7(DCQ15-07)	2	
15	281298516001	cylinder assembly	缸套总成DCQ15-1	1	
16	281298516002	slewing bearing	回转支承DCQ15-2	1	
17	281298516006	bearing	圆锥滚子轴承Z-32015UBC	1	
18	281298516018	skeleton oil seal	骨架油封90X115X12(Z6301-09012)	1	
19	281298516004	Bearing gear shaft	支承齿轴DCQ15-03	1	
20	281298516007	steering wheel shaft	转向轮轴DCQ15-05	1	
21	910600600038	pin	开口销GB91-5x45	2	
22	281298516012	cylindrical pin	圆柱销 10x24	1	
23	281298516019	Oil seal	油封65X90X12-5400033-117	2	
24	910700600004	bearing	轴承30208	2	
25	281216020010	Hub	轮毂DCQ15-06QT	2	
26	910700600002	bearing	轴承30206	2	
27	281298516015	washer	垫圈25X28X4	2	
28	281298516008	nut	开槽螺母M24x2	2	
29	281298516009	Wheel rim cover	轮辋盖22194-32361N	2	
30	281298516014	Rim nut Z01Z1-20201B	轮辋螺母 Z01Z1-20201B	10	
30	281298516023	Rear wheel stud	后轮螺柱	10	

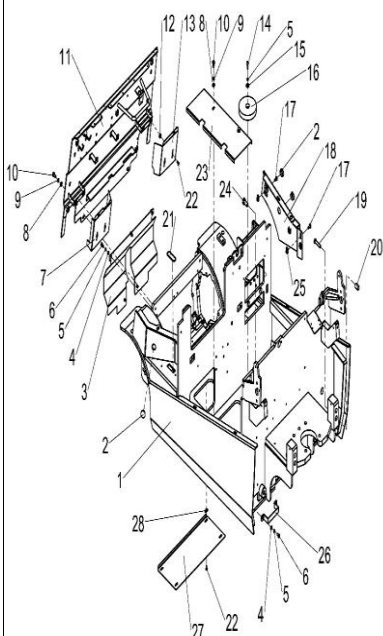
281898501012电箱瓶盖/hood installation

序号/NO	编码/SN	Name	名称	数量/QTY	备注/Remarks
1	281721011002	battery upper cover	箱盖焊合(3D18C)	1	1.6-1.8T
	281821011002	battery upper cover	箱盖焊合(3D20C)	1	2.0T
2	910300100005	Nult GB6170-M6-10	螺母GB6170-M6-10	8	
3	255021010016	welded back floor	压板焊合	2	
4	255021020003	Decorate cover	装饰盖	1	
5	255021020046	Safe ring φ35	保护圈φ35	1	
6	910200500053	Nult GB818-M6x20-4.8	螺钉GB818-M6x20-4.8	2	
7	255021020020	knob	拉手	1	
8	910400500005	spring washer GB93-6	弹簧垫圈GB93-6	4	
9	255021020068	washer	缓冲垫	2	
10	281821011005	welded hinge	铰链焊合(左)	1	
11	910100300024	Nult GB5783-M8x30-8.8	螺栓GB5783-M8x30-8.8	4	
12	910200500056	Nult GB818-M6x35-4.8	螺钉GB818-M6x35-4.8	2	
13	255021010010	Lock upper cover	顶盖锁	1	
14	255021020052	Lock	锁舌2	1	
15	910400100005	washer GB97.1-6-200HV	平垫圈GB97.1-6-200HV	2	
16	910400500008	spring washer GB93-12	弹簧垫圈GB93-12	1	
17	910400100008	washer GB97.1-12-200HV	平垫圈GB97.1-12-200HV	1	
18	910300100008	Nult GB6170-M12-10	螺母GB6170-M12-10	1	
19	910200500021	Nult GB818-M4x10-4.8	螺钉GB818-M4x10-4.8	2	
20	255021020055	Fixing Board	固定板	1	
21	255021020021	Knob(inside)	拉手(内)	1	
22	910100300023	Bolt GB5783-M8x25-8.8	螺栓GB5783-M8x25-8.8	6	
23	255037510001	Seats (standard)BF2-1A	座椅(标配)	1	
	255037510003	Seats (comfort)BF2-2A	座椅(舒适型)	1	选装/optional
	255037510004	Seat (damping type)BF2-3AB	座椅(减振型)	1	选装/optional
24	910400500006	spring washer GB93-8	弹簧垫圈GB93-8	10	
25	910400100006	washer GB97.1-8-200HV	平垫圈GB97.1-8-200HV	10	
26	255021020054	washe	调整垫	2	
27	255021020045	Board	座板	2	
28	255021020043	Bolt	固定螺栓	2	



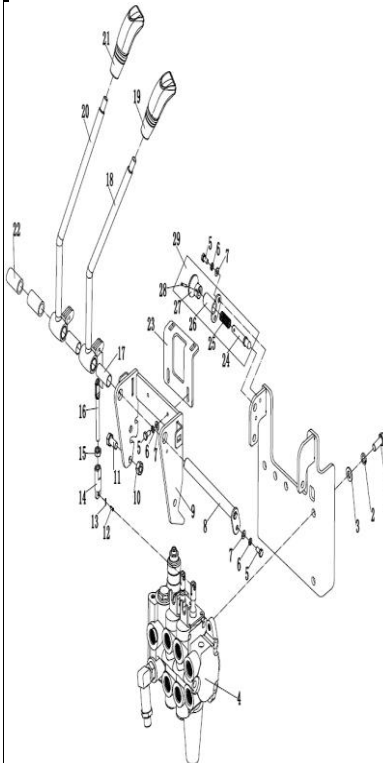
281898501016车架装配/Frame assembly

序号/NO	编码/SN	Name	名称	数量/QTY	备注/Remarks
1	281721511001	Welded frame	车架焊合18C	1	1.6-1.8T
	281821511001	Welded frame	车架焊合20C	1	2.0T
2	251222021078	Cover SKT-30	孔塞SKT-30	3	
3	281821521091	Motor shield	电机护板	1	
4	910400100006	Washer GB97.1-8-200HV	平垫圈GB97.1-8-200HV	7	
5	910400500006	spring washer GB93-8	弹簧垫圈GB93-8	11	
6	910100300020	Bolt GB5783-M8x16-8.8	螺栓GB5783-M8x16-8.8	11	
7	281821511004	Welded cover	盖板焊合(左)	1	
8	910400200004	Washer GB96.1-10-200HV	大垫圈GB96.1-10-200HV	4	
9	910400500007	spring washer GB93-10	弹簧垫圈GB93-10	4	
10	910100300035	Bolt GB5783-M10x30-8.8	螺栓GB5783-M10x30-8.8	4	
11	281821511009	Welded instrument shelf	仪表架焊合(20C)	1	
12	255021020058	M6 nut	M6卡式螺母	4	
13	281821511006	Welded cover	盖板焊合(右)	1	
14	910200200058	Screw GB70.1-M8x25-8.8	螺钉GB70.1-M8x25-8.8	4	
15	910400200003	Washer GB97.1-8-200HV	大垫圈GB96.1-8-200HV	4	
16	255021520107	Cushion $\Phi 140 \times \Phi 13 \times 25$	缓冲垫 $\Phi 140 \times \Phi 13 \times 25$	4	
17	941100100001	Screw GB70.1-M8x12-8.8	螺钉GB70.1-M8x12-8.8	3	
18	281821501101	Baffle welding (front right)	挡板焊合(右前)	1	
19	910100300055	Bolt GB5783-M12x55-8.8	螺栓GB5783-M12x55-8.8	2	
20	281221521092	Steel rod	圆钢	2	
21	281221521065	Cap cover	孔盖	1	
22	941100100009	Screw M6x12-8.8	螺钉M6x12-8.8	8	
23	281221521052	Cover	盖板(电缆)	1	
24	910100300069	Bolt GB5783-M16x35-8.8	螺栓GB5783-M16x35-8.8	2	
25	940400400002	Leaf spring nut M8-t(2-4)	板簧螺母M8-t(2-4)	3	
26	281221521051	Fixed bracket	固定支架	1	
27	281821521018	Connecting plate (front bottom)	连接板(前底)	1	
28	940400400001	Spring nut M6	簧片螺母M6	4	



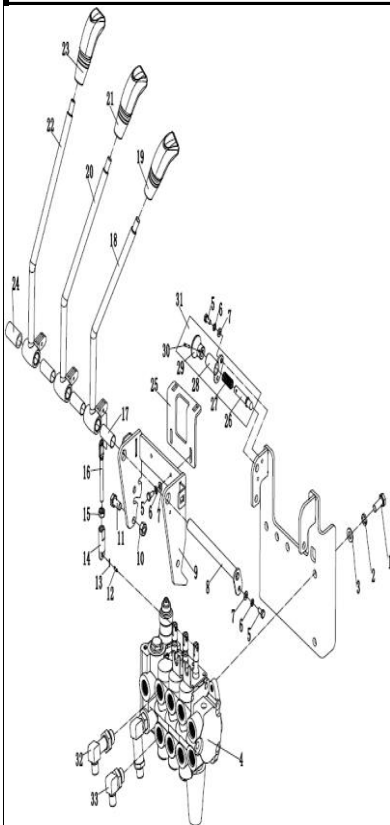
281898501021多路换向阀操纵(二联)/Multiple directional control valve (bigeminy)

序号/NO	编码/SN	Name	名称	数量/QTY	备注/Remarks
1	910100300036	Bolt GB5783-M10x25-8.8	螺栓GB5783-M10x25-8.8	3	
2	910400500007	spring washer GB93-10	弹簧垫圈GB93-10	6	
3	910400100007	washer GB97.1-10-200HV	平垫圈GB97.1-10-200HV	6	
4	281224511002	Multi way valve (two combined)	多路阀(二联)	1	
4	281224513002	Multi way valve (two solenoid valve)	二联多路阀(电磁阀)	1	CE选装
5	910100300009	Bolt GB5783-M6x12-8.8	螺栓GB5783-M6x12-8.8	5	
6	910400500005	spring washer GB93-6	弹簧垫圈GB93-6	7	
7	910400100005	washer GB97.1-6-200HV	平垫圈GB97.1-6-200HV	9	
8	255024510009	Axle Φ 16x168	带耳轴 Φ 16x168	1	
9	281224511001	Frame assembly	阀杆支架焊合	1	
10	910300500005	Nut GB889.1-M10-10	螺母GB889.1-M10-10	2	
11	910100300035	Bolt GB5783-M10x20-8.8	螺栓GB5783-M10x20-8.8	2	
12	941100800001	Axle B4.75x20-c1B	销轴B4.75x20-c1B	4	
13	910600600011	Axle GB91-2x12	开口销GB91-2x12	4	
14	255025020003	joint	接头	2	
15	910300100006	Nut GB6170-M8-10	螺母GB6170-M8-10	2	
16	281824521017	Link pole	连接杆	2	
17	940500100006	Cover Φ 16x Φ 18x15-SF-1	复合套 Φ 16x Φ 18x15-SF-1	4	
18	255024510004	Welded joystick(lifting)	操纵杆焊合(起升)	1	
19	255024520022	Handle ball(lifting)	手柄球(起升)	1	
20	255024510005	Welded joystick(slope)	操纵杆焊合(倾斜)	1	
21	255024520023	Handle ball(slope)	手柄球(倾斜)	1	
22	255024520028	Cover	轴套	2	
23	281224521001	Fixing plate	固定板(防护罩)	1	
24	▲	Handle Axle ϕ 10x60	手柄轴 ϕ 10x60	1	不单独提供
25	▲	Spring	压簧	1	不单独提供
26	▲	Axle ϕ 18x27.5	带耳轴 ϕ 18x27.5	1	不单独提供
27	▲	Handle	手柄	1	不单独提供
28	▲	Spring axle GB879.1-3x16	弹性圆柱销GB879.1-3x16	1	不单独提供
29	255024510006	Handle	解锁手柄总成	1	包含/Inc.24-28



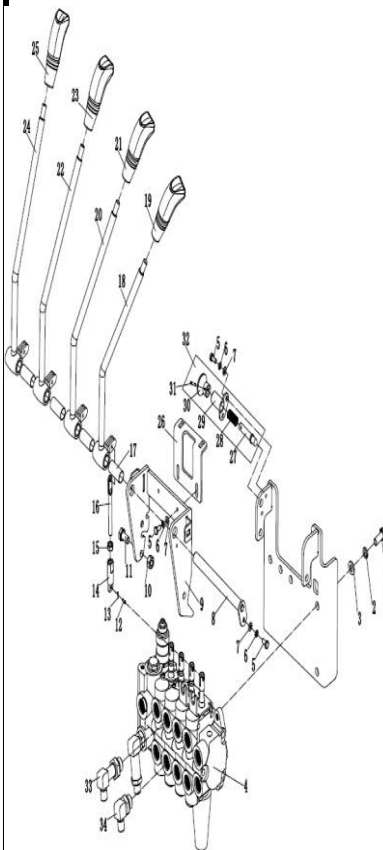
281898501023多路换向阀操纵(三联)/Multiple directional control valve (trigeminy)

序号/NO	编码/SN	Name	名称	数量/QTY	备注/Remarks
1	910100300036	Bolt GB5783-M10x25-8.8	螺栓GB5783-M10x25-8.8	3	
2	910400500007	spring washer GB93-10	弹簧垫圈GB93-10	6	
3	910400100007	washer GB97.1-10-200HV	平垫圈GB97.1-10-200HV	6	
4	281225011002	Multi way valve (three combined)	多路阀(三联)	1	
4	281225002001	Multi way valve (three solenoid valve)	三联多路阀(电磁阀)	1	CE
5	910100300009	Bolt GB5783-M6x12-8.8	螺栓GB5783-M6x12-8.8	5	
6	910400500005	spring washer GB93-6	弹簧垫圈GB93-6	7	
7	910400100005	washer GB97.1-6-200HV	平垫圈GB97.1-6-200HV	9	
8	255024510009	Axle Φ 16x168	带耳轴 Φ 16x168	1	
9	281224511001	Frame assembly	阀杆支架焊合	1	
10	910300500005	Nut GB889.1-M10-10	螺母GB889.1-M10-10	2	
11	910100300035	Bolt GB5783-M10x20-8.8	螺栓GB5783-M10x20-8.8	2	
12	941100800001	Axle B4.75x20-c1B	销轴B4.75x20-c1B	6	
13	910600600011	Axle GB91-2x12	开口销GB91-2x12	6	
14	255025020003	Joint	接头	3	
15	910300100006	Nut GB6170-M8-10	螺母GB6170-M8-10	3	
16	281824521017	Connecting rod	连接杆	3	
17	940500100006	Sleeve Φ 16x Φ 18x15-SF-1	复合套 Φ 16x Φ 18x15-SF-1	6	
18	255024510004	Control lever welding (lifting)	操纵杆焊合(起升)	1	
19	255024520022	Handle ball (lifting)	手柄球(起升)	1	
20	255024510005	Control lever welding (slope)	操纵杆焊合(倾斜)	1	
21	255024520023	Handle ball(slope)	手柄球(倾斜)	1	
22	255025010001	Control lever welding (accessory 1)	操纵杆焊合(属具1)	1	
23	255025020002	Handle ball (accessory 1)	手柄球(属具1)	1	
24	255024520028	Sleeve	轴套	1	
25	281224521001	Fixing seat	固定板(防护罩)	1	
26	▲	Handle axle ϕ 10x60	手柄轴 ϕ 10x60	1	不单独提供
27	▲	Spring	压簧	1	不单独提供
28	▲	Axle ϕ 18x27.5	带耳轴 ϕ 18x27.5	1	不单独提供
29	▲	Handle	手柄	1	不单独提供
30	▲	Dowel pin GB879.1-3x16	弹性圆柱销GB879.1-3x16	1	不单独提供

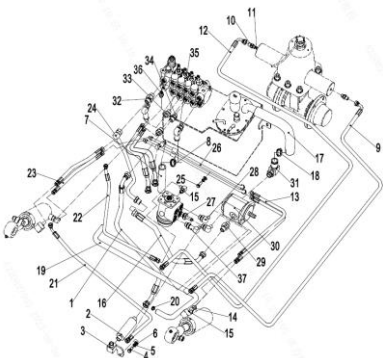


281898501024多路换向阀操纵(四联) /Multiple directional control valve(four joint)

序号/NO	编码/SN	Name	名称	数量/QTY	备注/Remarks
1	910100300036	Bolt GB5783-M10x25-8.8	螺栓GB5783-M10x25-8.8	3	
2	910400500007	spring washer GB93-10	弹簧垫圈GB93-10	6	
3	910400100007	washer GB97.1-10-200HV	平垫圈GB97.1-10-200HV	6	
4	281225511002	Multi way valve (four combined)	多路阀(四联)	1	
4	281225502001	Multi way valve (four solenoid valve)	四联多路阀(电磁阀)	1	CE
5	910100300009	Bolt GB5783-M6x12-8.8	螺栓GB5783-M6x12-8.8	5	
6	910400500005	spring washer GB93-6	弹簧垫圈GB93-6	7	
7	910400100005	washer GB97.1-6-200HV	平垫圈GB97.1-6-200HV	9	
8	255024510009	Axle Φ 16x168	带耳轴 Φ 16x168	1	
9	281224511001	Frame assembly	阀杆支架焊合	1	
10	910300500005	Nut GB889.1-M10-10	螺母GB889.1-M10-10	2	
11	910100300035	Bolt GB5783-M10x20-8.8	螺栓GB5783-M10x20-8.8	2	
12	941100800001	Axle B4.75x20-c1B	销轴B4.75x20-c1B	8	
13	910600600011	Axle GB91-2x12	开口销GB91-2x12	8	
14	255025020003	Joint	接头	4	
15	910300100006	Nut GB6170-M8-10	螺母GB6170-M8-10	4	
16	281824521017	Connecting rod	连接杆	4	
17	940500100006	Sleeve Φ 16x Φ 18x15-SF-1	复合套 Φ 16x Φ 18x15-SF-1	8	
18	255024510004	Control lever welding(lifting)	操纵杆焊合(起升)	1	
19	255024520022	Handle ball(lifting)	手柄球(起升)	1	
20	255024510005	Control lever welding(slope)	操纵杆焊合(倾斜)	1	
21	255024520023	Handle ball (slope)	手柄球(倾斜)	1	
22	255025010001	Control lever welding(accessory 1)	操纵杆焊合(属具1)	1	
23	255025020002	Handle ball(accessory 1)	手柄球(属具1)	1	
24	255025510001	Control lever welding (accessory 2)	操纵杆焊合(属具2)	1	
25	255025520002	Handle ball(accessory2)	手柄球(属具2)	1	
26	281224521001	Fixing seat	固定板(防护罩)	1	
27	▲	Handle ϕ 10x60	手柄轴 ϕ 10x60	1	不单独提供
28	▲	Spring	压簧	1	不单独提供
29	▲	Axle ϕ 18x27.5	带耳轴 ϕ 18x27.5	1	不单独提供
30	▲	Handle	手柄	1	不单独提供

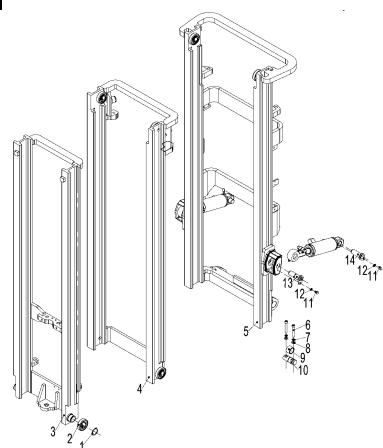


281898501025液压系统/Hydraulic system



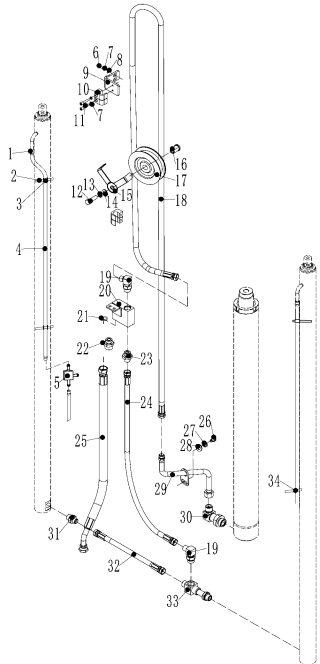
序号/NO	编码/SN	Name	名称	数量/QTY	备注/Remarks
1	253645219006	Hydraulic hose assembly (135°)15-L620-2SC-	液压管总成(135°)15-L620-2SC-24°	1	
2	283323511001	Speed limit valve XSF-F16L-30	限速阀XSF-F16L-30	1	
3	283323511020	Speed limit valve joint assembly	限速阀接头总成	1	
4	910100300023	Bolt GB5783-M8x25-8.8	螺栓GB5783-M8x25-8.8	1	
5	910400100006	Washer GB97.1-8-200HV	平垫圈GB97.1-8-200HV	3	
6	910400500006	spring washer GB93-8	弹簧垫圈GB93-8	3	
7	255023520021	Rubber hose	胶管(回油)	1	
8	911000600004	Hose clamp QC/T390-(34-38)	喉箍QC/T390-(34-38)	2	
9	283323520010	Hydraulic hose assembly (90°)10-L2600-1SC-	液压管总成(90°)10-L2600-1SC-24°	1	
10	283323520002	Joint 10-G1/4-M16x1.5-60°	接头(直)10-G1/4-M16x1.5-24°	2	
11	910800900004	Washer JB982-14	组合垫圈JB982-14	2	
12	281823521001	Hydraulic hose assembly (90°)10-L3050-1SC-	液压管总成(90°)10-L3050-1SC-24°	1	
13	281823521004	Hydraulic hose assembly 10-L750-1SC-24°	液压管总成(直)10-L750-1SC-24°	4	
14	282323520006	Joint 10-G1/4 - M16x1.5-24°	接头(锁定弯)10-G1/4-M16x1.5-24°	3	
15	281823521006	Joint 10-G1/4 - M16x1.5-24°	接头(直)10-G1/4 - M16x1.5-24°	2	
16	281823521007	Hydraulic hose assembly (90°)15-L300-2SC-2	液压管总成(135°)15-L300-2SC-24°	1	
17	281223521008	Rubber hose	胶管(吸油)	1	
18	911000600006	Hose clamp QC/T390-(40-45)	喉箍QC/T390-(40-45)	2	
19	900200401001	Oil return hose 13x5	回油胶管13x5	1	L=1100
20	911000600003	Hose clamp QC/T390-(22-26)	喉箍QC/T390-(22-26)	2	
21	281823521002	Hydraulic hose assembly (90°)10-L1200-1SC-	液压管总成(90°)10-L1200-1SC-24°	1	
22	281823521003	Hydraulic hose assembly (90°)8-L1220-1SC-2	液压管总成(90°)8-L1220-1SC-24°	1	
23	281823521005	Hydraulic hose assembly (90°)10-L350-1SC-2	液压管总成(90°)10-L450-1SC-24°	2	
24	281823511003	Multi way valve Oil enter hose	多路阀进油钢管焊合	1	
25	910200200057	Screw GB70.1-M8x20-8.8	螺钉GB70.1-M8x20-8.8	2	
26	281823511001	Slope steel pipe	倾斜钢管	1	
27	255023510008	Joint 11-M20x1.5-0	接头(锁定弯)11-M20x1.5-0	1	
28	282323520008	Joint10-M20x1.5-M16x1.5-24°	接头(锁定弯)10-M20x1.5-M16x1.5-24°	2	
29	283323520008	Joint 15-G1/2-M22x1.5-24°	接头(直)15-G1/2-M22x1.5-24°	1	
30	281223511006	Gear pump	齿轮泵(左旋)	1	
31	255023510005	Joint 25-G1-Φ32	接头(转向弯)25-G1-Φ32	1	

281898501027三级全自由门架 /Mast(three stage full free lift)



序号/NO	编码/SN	Name	名称	数量/QTY	备注/Remarks
1	91040130022	Elastic retaining ring GB894.1-45 for shaft	轴用弹性挡圈GB894.1-45	8	
2	940200300061	Composite roller $\Phi 78.8 \times \Phi 45 \times 23$ - the range	复合滚轮 $\Phi 78.80$ -range=40-NTQJ	8	选配
2	940200300062	Composite roller $\Phi 79.1 \times \Phi 45 \times 23$ - the range	复合滚轮 $\Phi 79.10$ -range=40-NTQJ	8	选配
2	940200300063	Composite roller $\Phi 79.4 \times \Phi 45 \times 23$ - the range	复合滚轮 $\Phi 79.40$ -range=40-NTQJ	8	选配
3	281844512001	Inner mast (4000)	内门架焊合(4000)	1	H=4000
3	281844512002	Inner mast (4350)	内门架焊合(4350)	1	H=4350
3	281844512003	Inner mast (4500)	内门架焊合(4500)	1	H=4500
3	281844512004	Inner mast (4800)	内门架焊合(4800)	1	H=4800
3	281844512005	Inner mast (5000)	内门架焊合(5000)	1	H=5000
3	281844512006	Inner mast (5500)	内门架焊合(5500)	1	H=5500
3	281844512007	Inner mast (6000)	内门架焊合(6000)	1	H=6000
3	281844512008	Inner mast (4799)	内门架焊合(4799)	1	H=4799
4	281844513001	Middle mast (4000)	中门架焊合(4000)	1	H=4000
4	281844513002	Middle mast (4350)	中门架焊合(4350)	1	H=4350
4	281844513003	Middle mast (4500)	中门架焊合(4500)	1	H=4500
4	281844513004	Middle mast (4800)	中门架焊合(4800)	1	H=4800
4	281844513005	Middle mast (5000)	中门架焊合(5000)	1	H=5000
4	281844513006	Middle mast (5500)	中门架焊合(5500)	1	H=5500
4	281844513007	Middle mast (6000)	中门架焊合(6000)	1	H=6000
4	281844513008	Middle mast (4799)	中门架焊合(4799)	1	H=4799
5	281844511001	Outer mast (4000)	外门架焊合(4000)	1	H=4000
5	281844511002	Outer mast (4350)	外门架焊合(4350)	1	H=4350
5	281844511003	Outer mast (4500)	外门架焊合(4500)	1	H=4500
5	281844511004	Outer mast (4800)	外门架焊合(4800)	1	H=4800
5	281844511005	Outer mast (5000)	外门架焊合(5000)	1	H=5000
5	281844511006	Outer mast (5500)	外门架焊合(5500)	1	H=5500
5	281844511007	Outer mast (6000)	外门架焊合(6000)	1	H=6000
5	281844511008	Outer mast (4799)	外门架焊合(4799)	1	H=4799
6	910100100054	Bolt GB5782-M12x80-8.8	螺栓GB5782-M12x80-8.8	4	
7	910400500008	Washer GB93-12	弹簧垫圈GB93-12	4	
8	910400100008	Washer GB97.1-12-200HV	平垫圈GB97.1-12-200HV	4	

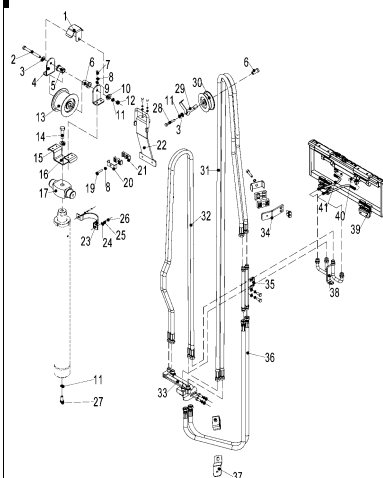
281898501028门架起升管路(三级全自由)/Mast lifting pipeline(three stage full free lift)



序号/NO	编码/SN	Name	名称	数量/QTY	备注/Remarks
1	255044020043	Hoop13	卡箍13	5	
2	921600400002	Strip8x300	扎带8x300	6	
3	255044020042	Press plate	压板	6	
4	900200301004	PE Supple pipeΦ10xΦ13	PE软管Φ10xΦ13	2	整卷提供50米
5	255044020118	Joint	接头(三通)	1	
6	910200200035	Screw GB70.1 M6x16-8.8	螺钉GB70.1-M6x16-8.8	2	
7	910400500005	Spring washer GB93-6	弹簧垫圈GB93-6	6	
8	910400100005	Flat washer GB97.1-6-200 HV	平垫圈GB97.1-6-200HV	2	
9	282344529002	Support	支架	1	
10	255044520132	Tubing clamps	油管夹	4	
11	910200200038	Screw GB70.1-M6x25-8.8	螺钉GB70.1-M6x25-8.8	4	
12	910100300054	Bolt GB5782-M12x50-8.8	螺栓GB5783-M12x50-8.8	1	
13	910400500008	Spring washer gb93-12	弹簧垫圈GB93-12	1	
14	910400100008	Flat washer GB97.1-12-200HV	平垫圈GB97.1-12-200HV	1	
15	256844520022	Hose baffle	胶管挡板	1	
16	255044520081	Bushings (shoulder)Φ20XΦ13x33	衬套Φ20XΦ13x33	1	
17	255044520096	Pulley Φ120x36 (single slot)	滑轮Φ120x36(单槽)	1	
18	281844529502	Hydraulic hose assembly 12-L2640-2SC-24°	液压管总成(直)12-L2640-2SC-24°	1	H=4000
18	251244529501	Hydraulic hose assembly 12-L2900-2SC-24°	液压管总成(直)12-L2900-2SC-24°	1	H=4350
18	281844529501	Hydraulic hose assembly 12-L2970-2SC-24°	液压管总成(直)12-L2970-2SC-24°	1	H=4500
18	281844529503	Hydraulic hose assembly 12-L3180-2SC-24°	液压管总成(直)12-L3180-2SC-24°	1	H=4800
18	281844529504	Hydraulic hose assembly 12-L3280-2SC-24°	液压管总成(直)12-L3280-2SC-24°	1	H=5000
18	281844529505	Hydraulic hose assembly 12-L3680-2SC-24°	液压管总成(直)12-L3680-2SC-60°	1	H=5500
18	281844529506	Hydraulic hose assembly 12-L4090-2SC-24°	液压管总成(直)12-L4090-2SC-24°	1	H=6000
18	282344529502	Hydraulic hose assembly 12-L3050-2SC-24°	液压管总成(直)12-L3050-2SC-24°	1	H=4799
19	282344529001	Connector 10-M18x1.5-M22x1.5-24°	接头(锁定弯)10-M18x1.5-M22x1.5-24°	2	
20	252144519002	Three welded (20Q)	三通焊接(20Q)	1	
21	▲	Oring 19x2.65	O形圈-内19x2.65	1	
22	251223520030	Connector 15-M22x1.5-M22x1.5-24°	接头(直)15-M22x1.5-M22x1.5-24°	1	
23	201025020019	Connector 22-M22x1.5-M18x1.5-24°d	接头(直)22-M22x1.5-M18x1.5-24°	2	
24	283344529005	Hydraulic hose assembly 12-L750-2SC-24°	液压管总成(直)12-L750-2SC-24°	1	

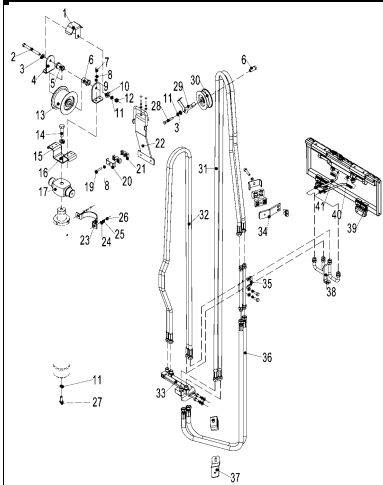
281898501029单附加 (三级全自由) /Single attached line (three stage full free)

序号/NO	编码/SN	名称	Name	数量/QTY	备注/Remark
1	253630520904	Middle cylinder rubber tube cover	中缸胶管护罩	1	
2	910100100060	Bolt GB5782-M12x120-8.8	螺栓GB5782-M12x120-8.8	1	
3	910400100008	Washer GB97.1-12-200HV	平垫圈GB97.1-12-200HV	2	
4	253630520906	Stent	支架	2	
5	255044520081	Bush Φ20xΦ13x33	衬套Φ20XΦ13x33	1	
6	254130520016	Bush Φ20xΦ13x43	衬套Φ20xΦ13x43	2	
7	910100300020	Bolt GB5783-M8x16-8.8	螺栓GB5783-M8x16-8.8	6	
8	910400500006	Washer GB93-8	弹簧垫圈GB93-8	10	
9	910400100006	Washer GB97.1-8-200HV	平垫圈GB97.1-8-200HV	10	
10	910400200005	Washer GB96.1-12-200HV	大垫圈GB96.1-12-200HV	2	
11	910400500008	Washer GB93-12	弹簧垫圈GB93-12	2	
12	910300100008	Nut GB6170-M12-10	螺母GB6170-M12-10	1	
13	253631020020	Pulley Φ104x76	滑轮Φ104x76(四联)	1	
14	910100100072	Bolt GB5782-M16x60-8.8	螺栓GB5782-M16x60-8.8	1	
15	910400500010	Spring Washer GB97.1-16-200HV	弹簧垫圈GB97.1-16-200HV	1	
16	281830520003	Middle cylinder chain baffle	中缸链条挡板	1	
17	253645220011	Cylinder head	缸头	1	
18	910100300023	Bolt GB5783-M8x25-8.8	螺栓GB5783-M8x25-8.8	2	
19	910100300027	Bolt GB5783-M8x45-8.8	螺栓GB5783-M8x45-8.8	2	
20	255028520035	Pipe press fixedly plank	管夹安装板	2	
21	255028520034	Hose fixing bloke	胶管固定块	4	
22	253630510001	Intermediate cylinder rubber tube transition fra	中缸胶管过渡架	1	
23	253644520004	Embrace hoop	抱箍	2	
24	910400100007	Washer GB97.1-10-200HV	平垫圈GB97.1-10-200HV	2	
25	910400500007	Washer GB93-10	弹簧垫圈GB93-10	2	
26	910100300036	Bolt GB5783-M10x25-8.8	螺栓GB5783-M10x25-8.8	1	
27	910100300050	Bolt GB5783-M12x30-8.8	螺栓GB5783-M12x30-8.8	1	
28	910100100048	Bolt GB5782-M12x50-8.8	螺栓GB5782-M12x50-8.8	1	
29	256844520021	Hose baffle	胶管挡板	1	
30	255030520020	Pulley Φ120x42	滑轮Φ120x42(双槽)	1	
31	251230520714	Hydraulic hose assembly10-L2120-1SC-24°	液压管总成(直)10-L2120-1SC-24°	2	H=4000

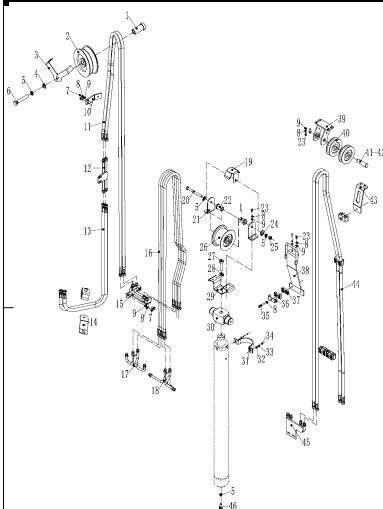


281898501029单附加 (三级全自由) /Single attached line (three stage full free)

序号/NO	编码/SN	Name	名称	数量/QTY	备注/Remarks
31	251329020702	Hydraulic hose assembly10-L2360-1SC-24°	液压管总成(直)10-L2360-1SC-24°	2	H=4350
	253631020104	Hydraulic hose assembly10-L2450-1SC-24°	液压管总成(直)10-L2450-1SC-24°	2	H=4500
	251231020702	Hydraulic hose assembly10-L2650-1SC-24°	液压管总成(直)10-L2650-1SC-24°	2	H=4800
	251228520701	Hydraulic hose assembly10-L2850-1SC-24°	液压管总成(直)10-L2850-1SC-24°	2	H=5000
	282323520029	Hydraulic hose assembly10-L3030-1SC-24°	液压管总成(直)10-L3030-1SC-24°	2	H=5500
	251331020704	Hydraulic hose assembly10-L3550-1SC-24°	液压管总成(直)10-L3550-1SC-24°	2	H=6000
	253631020201	Hydraulic hose assembly10-L2545-1SC-24°	液压管总成(直)10-L2545-1SC-24°	2	H=4799
32	251223520001	Hydraulic hose assembly10-L2200-1SC-24°	液压管总成(直)10-L2200-1SC-24°	2	H=4000
	253631020201	Hydraulic hose assembly10-L2255-1SC-24°	液压管总成(直)10-L2255-1SC-24°	2	H=4350
	251328520704	Hydraulic hose assembly10-L2220-1SC-24°	液压管总成(直)10-L2220-1SC-24°	2	H=4500
	253631020201	Hydraulic hose assembly10-L2255-1SC-24°	液压管总成(直)10-L2255-1SC-24°	2	H=4800
	251223520001	Hydraulic hose assembly10-L2200-1SC-24°	液压管总成(直)10-L2200-1SC-24°	2	H=5000
	253630520103	Hydraulic hose assembly10-L2270-1SC-24°	液压管总成(直)10-L2270-1SC-24°	2	H=5500
	251223520001	Hydraulic hose assembly10-L2200-1SC-24°	液压管总成(直)10-L2200-1SC-24°	2	H=6000
	253631020201	Hydraulic hose assembly10-L2255-1SC-24°	液压管总成(直)10-L2255-1SC-24°	2	H=4799
33	281830510001	Hydraulic steel pipe welding	液压钢管焊接	1	
34	282330520004	Hose mounting plate	胶管安装板	1	
35	251330510004	Hydraulic steel pipe welding(24°)	液压钢管焊接(24°)	1	
36	251230520002	Hydraulic hose assembly 10-L1260-1SC-24°	液压管总成(直)10-L1260-1SC-24°	2	
37	282330520006	Tubing retainer plate	油管固定板	1	
38	253631101002	Single attached hose bracket	单附胶管支架	1	
39	255042510004	Sideshifters(LH)	侧移器总成1040(龙合)	1	
	255042510001	Sideshifters(LD)	外置侧移器1100(LD)	1	
	255042510002	Sideshifters(CASCADE)	侧移器总成1040(下期下行SSP-SSS-Z-108542)	1	
40	910800100001	Oring 9.5x1.8	O形圈-内9.5x1.8	2	
41	253642520002	Hydraulic hose assembly (90°)10-	液压管总成(直)10-L400-1SC-24°-0°	2	

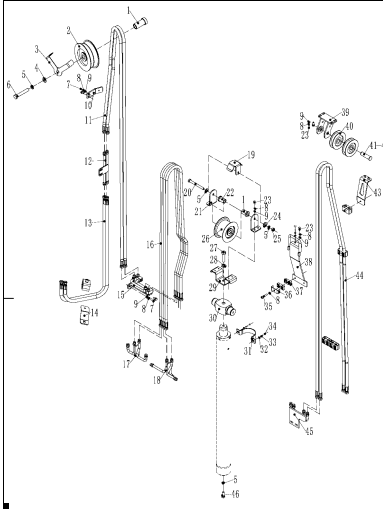


281898501030双附加管路安装(三级全自由)/Doble pipeline installation(three stage full free)



序号/NO	编码/SN	Name	名称	数量/QTY	备注/Remark
1	254130520016	Bush Φ20xΦ13x43	衬套Φ20xΦ13x43	2	
2	255030520020	Pulley Φ120x42	滑轮Φ120x42(双槽)	1	
3	256844520021	Hose baffle	胶管挡板	1	
4	910400100008	Washer GB97.1-12-200HV	平垫圈GB97.1-12-200HV	2	
5	910400500008	Washer GB93-12	弹簧垫圈GB93-12	2	
6	910100100048	Bolt GB5782-M12x50-8.8	螺栓GB5782-M12x50-8.8	1	
7	9101000300022	Bolt GB5783-M8x20-8.8	螺栓GB5783-M8x20-8.8	2	
8	910400500006	Washer GB93-8	弹簧垫圈GB93-8	15	
9	910400100006	Washer GB97.1-8-200HV	平垫圈GB97.1-8-200HV	15	
10	282330520004	Hose mounting plate	胶管安装板	1	
11	251230520714	Hydraulic hose assembly10-L2120-1SC-24°	液压管总成(直)10-L2120-1SC-24°	2	H=4000
	251329020702	Hydraulic hose assembly10-L2360-1SC-24°	液压管总成(直)10-L2360-1SC-24°	2	H=4350
	253631020104	Hydraulic hose assembly10-L2450-1SC-24°	液压管总成(直)10-L2450-1SC-24°	2	H=4500
	251231020702	Hydraulic hose assembly10-L2650-1SC-24°	液压管总成(直)10-L2650-1SC-24°	2	H=4800
	251228520701	Hydraulic hose assembly10-L2850-1SC-24°	液压管总成(直)10-L2850-1SC-24°	2	H=5000
	282323520029	Hydraulic hose assembly10-L3030-1SC-24°	液压管总成(直)10-L3030-1SC-24°	2	H=5500
	251331020704	Hydraulic hose assembly10-L3550-1SC-24°	液压管总成(直)10-L3550-1SC-24°	2	H=6000
	253631020201	Hydraulic hose assembly10-L2545-1SC-24°	液压管总成(直)10-L2545-1SC-24°	2	H=4799
12	251330510004	Hydraulic steel pipe welding(24°)	液压钢管焊合(24°)	1	
13	251230520002	Hydraulic hose assembly10-L1260-1SC-24°	液压管总成(直)10-L1260-1SC-24°	2	
14	282330520006	Tubing fixing plate	油管固定板	1	
15	281830510001		液压钢管焊合	1	
16	251223520001	Hydraulic hose assembly10-L2200-1SC-24°	液压管总成(直)10-L2200-1SC-24°	2	H=4000
	253631020201	Hydraulic hose assembly10-L2255-1SC-24°	液压管总成(直)10-L2255-1SC-24°	2	H=4350
	251328520704	Hydraulic hose assembly10-L2220-1SC-24°	液压管总成(直)10-L2220-1SC-24°	2	H=4500
	253631020201	Hydraulic hose assembly10-L2255-1SC-24°	液压管总成(直)10-L2255-1SC-24°	2	H=4800
	251223520001	Hydraulic hose assembly10-L2200-1SC-24°	液压管总成(直)10-L2200-1SC-24°	2	H=5000
	253630520103	Hydraulic hose assembly10-L2270-1SC-24°	液压管总成(直)10-L2270-1SC-24°	2	H=5500
	251223520001	Hydraulic hose assembly10-L2200-1SC-24°	液压管总成(直)10-L2200-1SC-24°	2	H=6000
	253631020201	Hydraulic hose assembly10-L2255-1SC-24°	液压管总成(直)10-L2255-1SC-24°	2	H=4799
17	253631101002	Single attached hose bracket	单附胶管支架	1	

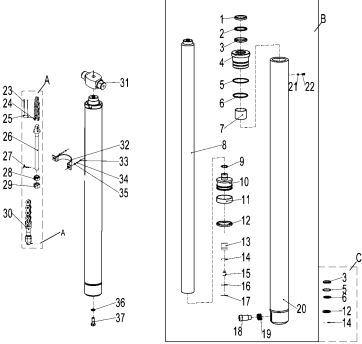
281898501030双附加管路安装(三级全自由)/Doble pipeline installation(three stage full free)



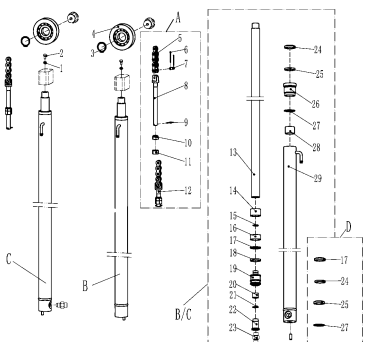
序号/NO	编码/SN	Name	名称	数量/QTY	备注/Remarks
18	253631310002		双附胶管支架(24°)	1	
19	253630520904	Middle cylinder rubber tube cover	中缸胶管护罩	1	
20	910100100060	Bolt GB5782-M12x120-8.8	螺栓GB5782-M12x120-8.8	1	
21	253630520906	Stent	支架	2	
22	255044520081	Bush Φ20xΦ13x33	衬套Φ20XΦ13x33	1	
23	910100300020	Bolt GB5783-M8x16-8.8	螺栓GB5783-M8x16-8.8	12	
24	910400200005	Washer GB96.1-12-200HV	大垫圈GB96.1-12-200HV	2	
25	910300100008	Nut GB6170-M12-10	螺母GB6170-M12-10	1	
26	253631020020	Pulley Φ104x76	滑轮Φ104x76(四联)	1	
27	910100100072	Bolt GB5782-M16x60-8.8	螺栓GB5782-M16x60-8.8	1	
28	910400500010	Spring Washer GB97.1-16-200HV	弹簧垫圈GB97.1-16-200HV	1	
29	281830520003	Middle cylinder chain baffle	中缸链条挡板	1	
30	253645220011	Cylinder head	缸头	1	
31	253644520004	Embrace hoop	抱箍	1	
32	910400100007	Washer GB97.1-10-200HV	平垫圈GB97.1-10-200HV	2	
33	910400500007	Washer GB93-10	弹簧垫圈GB93-10	2	
34	910100300036	Bolt GB5783-M10x25-8.8	螺栓GB5783-M10x25-8.8	2	
35	910100300027	Bolt GB5783-M8x45-8.8	螺栓GB5783-M8x45-8.8	6	
36	255028520035	Pipe press fixedly plank	管夹安装板	6	
37	255028520034	Hose fixing bloke	胶管固定块	12	
38	253631310003	Intermediate cylinder rubber tube transition fra	中缸胶管固定架	1	
39	282344510003	The pulley welds the bracket	滑轮焊合支架	1	
40	255031020007	Pulley Φ90x22	滑轮Φ90x22(单槽)	2	
41	255031020004	Axis Φ20x70	带耳轴Φ20x70	1	
42	910401300011	Circlip GB894.1-20	轴用弹性挡圈GB894.1-20	1	
43	282331020101	Holder	支架	1	
44	251331020705	Hydraulic hose assembly10-L3720-1SC-24°	液压管总成(直)10-L3950-1SC-24°	2	H=4000
	251227520004	Hydraulic hose assembly10-L3970-1SC-24°	液压管总成(直)10-L4200-1SC-24°	2	H=4350
	251227520005	Hydraulic hose assembly10-L4070-1SC-24°	液压管总成(直)10-L4300-1SC-24°	2	H=4500
	251227520006	Hydraulic hose assembly10-L4270-1SC-24°	液压管总成(直)10-L4500-1SC-24°	2	H=4800
	251228020006	Hydraulic hose assembly10-L4470-1SC-24°	液压管总成(直)10-L4700-1SC-24°	2	H=5000

281898501031短起升油缸(三级全自由门架)/SHORT LIFTING CYLINDER (three stage full free)

序号/NO	编码/SN	Name	名称	数量/QTY	备注/Remarks
A	281844515001	Lifting chain LH1234-75	起升链条LH1234-75	2	H=4000
A	252043510021	Lifting chain LH1234-81	起升链条LH1234-81	2	H=4350
A	252044510043	Lifting chain LH1234-79	起升链条LH1234-79	2	H=4500
A	252044510005	Lifting chain LH1234-85	起升链条LH1234-85	2	H=4800
A	281844515002	Lifting chain LH1234-83	起升链条LH1234-83	2	H=5000
A	252144014001	Lifting chain LH1234-91	起升链条LH1234-91	2	H=5500
A	251244014002	Lifting chain LH1234-93	起升链条LH1234-93	2	H=6000
A	281844515002	Lifting chain LH1234-83	起升链条LH1234-83	2	H=4799
B	281844518001	Short lifting cylinder (M) Φ 70x Φ 55x925	油缸(M) Φ 70x Φ 55x925	1	H=4000
B	281844518002	Short lifting cylinder (M) Φ 70x Φ 55x987	油缸(M) Φ 70x Φ 55x987	1	H=4350
B	281844518003	Short lifting cylinder (M) Φ 70x Φ 55x1012	油缸(M) Φ 70x Φ 55x1012	1	H=4500
B	281844518004	Short lifting cylinder (M) Φ 70x Φ 55x1062	油缸(M) Φ 70x Φ 55x1062	1	H=4800/4799
B	281844518005	Short lifting cylinder (M) Φ 70x Φ 55x1112	油缸(M) Φ 70x Φ 55x1112	1	H=5000
B	281844518006	Short lifting cylinder (M) Φ 70x Φ 55x1187	油缸(M) Φ 70x Φ 55x1187	1	H=5500
B	281844518007	Short lifting cylinder (M) Φ 70x Φ 55x1287	油缸(M) Φ 70x Φ 55x1287	1	H=6000
C	254198510005	Seal kits(middle cylinder)	密封件修理包(三级全自由中缸)	1	包含3/5/6/12/14
1	▲	Dust ring 50x58x7/6.5	防尘圈50x58x7/6.5	1	不单独提供
2	▲	Catch 50x60x3	挡片50x60x3	1	不单独提供
3	▲	Seal ring 50x60x6	密封圈50x60x6	1	不单独提供
4	▲	Glide sleeve	导向套	1	不单独提供
5	▲	O ring D75X3.1	O型密封圈D75X3.1	1	不单独提供
6	▲	O ring D75X3.1	O型密封圈D70x3.1	1	不单独提供
7	▲	Bearing50x55x40	钢背轴承 50x55x40	1	不单独提供
8	▲	HSG Piston rod	HSG活塞杆	1	不单独提供
9	▲	Circlip	钢丝挡圈	1	不单独提供
10	▲	Piston assembly	活塞总成	1	不单独提供
11	▲	Support ring 65x70x20	支承环65x70x20	1	不单独提供
12	▲	Seal ring 70x60x6	孔用密封圈70x60x6	1	不单独提供
13	▲	Valve cover	阀套	1	不单独提供
14	▲	O ring D15x2.4	O型密封圈D15x2.4	1	不单独提供
15	▲	Valve plug	孔用密封圈70x60x6	1	不单独提供



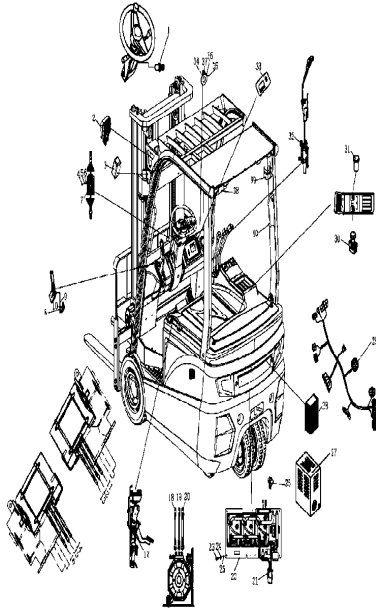
281898501032起升油缸(三级全自由门架)/ LIFTING CYLINDER (three stage full free)



序号/NO	编码/SN	Name	名称	数量/QTY	备注/Remarks
1	910400500008	Washer GB93-12	弹簧垫圈GB93-12	4	
2	910100300053	Bolt GB5783-M12x45-8.8	螺栓GB5783-M12x45-8.8	2	
3	910401300020	Circlip GB894.1-40	轴用弹性挡圈GB894.1-40	2	
4	940200500015	Chain wheel bearing 780708K3-Φ95xΦ40x27	链轮轴承780708K3-Φ95xΦ40x27	2	
5	910900400010	LH1234 chain	板式链GB6074-LH1234	2	
6	910600600015	Split pin 2x20	开口销GB91-2x20	8	
7	252043520037	Pin Φ7.84x35.1	销轴Φ7.84x35.1	4	
8	252044020121	Joint M16x1.5x178	链条螺栓M16x1.5x178	2	
9	910600600030	split pinGB91-3.2x30	开口销GB91-3.2x30	4	
10	254144020066	Nut M16x1.5	球面螺母M16x1.5	4	
11	910300200008	Nut GB6171-M16x1.5-10	螺母GB6171-M16x1.5-10	4	
12	254144020065	Joint M16x1.5-85.5	链条螺栓M16x1.5-85.5	2	
13	▲	Piston rod	活塞杆	1	不单独提供
14	▲	Adjusting bushing 35.5x44xL1	调整套35.5x44xL1	1	不单独提供
15	▲	Circlip	钢丝挡圈	1	不单独提供
16	▲	41 x45x8 bearing ring	支承环41x45x8	1	不单独提供
17	▲	Seal ring 45x35x6	孔用密封圈	1	不单独提供
18	▲	35 x45x3 block slice	挡片35x45x3	1	不单独提供
19	▲	Piston	活塞	1	不单独提供
20	▲	Copper bushing	铜套	1	不单独提供
21	▲	Circlip	钢丝挡圈	1	不单独提供
22	▲	Buffer ring	缓冲环	1	不单独提供
23	▲	Anti-explosion valve	防爆阀	1	不单独提供
24	▲	Dust ring	防尘圈DH35X43X6.5	1	不单独提供
25	▲	Seal ring	轴用密封圈35X45X6	1	不单独提供
26	▲	Guide bushing	导向套	1	不单独提供
27	▲	O seal ring	O型密封圈	1	不单独提供
28	▲	Bearing 3530	钢背轴承3530	1	不单独提供
29	▲	Cylinder	缸体	1	不单独提供
A	252044510006	Lifting chain LH1234-95	起升链条LH1234-95	2	H=4000
A	251244014003	Lifting chain LH1234x101	起升链条LH1234-101	2	H=4350
A	251244514002	Lifting chain LH1234x103	起升链条LH1234-103	2	H=4500
A	251244014004	Lifting chain LH1234x109	起升链条LH1234-109	2	H=4800

281898501035电器系统/Electric system

序号/NO	编码/SN	Name	名称	数量/QTY	备注/Remarks
1	920200200031	Key switch	钥匙开关(一档双路)	1	
2	922000100066	Light FLDD-9Z-FX	灯FLDD-9Z-FX	2	headlamps
3	922000100052	Light FLDJ-QXD-001	灯FLDJ-QXD-001	2	Before turn signal
4	910400500004	Spring Washer GB93-5	弹簧垫圈GB93-5	8	
5	910400100004	Washer GB97.1-5-200HV	平垫圈GB97.1-5-200HV	8	
6	910200500038	Screw GB818-M5x12-4.8	螺钉GB818-M5x12-4.8	4	
7	920200800013	Combination switch	组合开关	1	
8	920200300004	Micro switch	微动开关	1	parking brake
9	910200200017	Screw GB70.1-M4x25-8.8	螺钉GB70.1-M4x25-8.8	2	
10	910400100003	Washer GB97.1-4-200HV	平垫圈GB97.1-4-200HV	2	
11	281833010006	Cable -U1-35-8-8-2050	线缆-U1-35-6-8-2050	1	
12	281833010007	Cable -V1-35-8-8-2000	线缆-V1-35-6-8-2000	1	
13	281833010008	Cable -W1-35-8-8-1950	线缆-W1-35-6-8-1950	1	
14	281833010009	Cable -U2-35-8-8-2600	线缆-U2-35-6-8-2600	1	
15	281833010010	Cable -V2-35-8-8-2550	线缆-V2-35-6-8-2550	1	
16	281833010011	Cable -W2-35-8-8-2500	线缆-W2-35-6-8-2500	1	
17	920201000002	Foot pedal JK231	脚踏开关	1	Crane brake
18	281833010012	Cable -U3-35-8-8-2050	线缆-U3-35-6-8-2050	1	
19	281833010013	Cable -V3-35-8-8-2050	线缆-V3-35-6-8-2050	1	
20	281833010014	Cable -W3-35-8-8-2050	线缆-W3-35-6-8-2050	1	
21	281833010005	Cable	总电源线束	1	
22	281833010001	Controller ((Inmotion-7-3D20C)	电控组件(Inmotion-7-3D20C)	1	Inmotion-7
	281833010009	Controller (Curtis-F-3D20C)	电控组件(Curtis-F-3D20C)		Curtis-F
23	910200200058	Screw GB70.1-M8x25-8.8	螺钉GB70.1-M8x25-8.8	4	
24	910400100005	Washer GB97.1-6-200HV	平垫圈GB97.1-6-200HV	4	
25	910400500005	Spring Washer GB93-6	弹簧垫圈GB93-6	4	
26	921800200007	Potentiometer Vert-X	电位器Vert-X	1	
27	921900100001	Transducer DC48V 24V	转换器DC48V转24V	1	
28	281833010002	Truck body harness(Inmotion-7-3D20C)	车身线束(Inmotion-7-3D20C)	1	Inmotion-7
	281833010004	Truck body harness(Curtis-F-3D20C)	车身线束(Curtis-F-3D20C)		Curtis-F
29	920200100020	Emergency switch LAY39-01MJ-RC	急停开关LAY39-01MJ-RC	1	铅酸560/630Ah



281898501038蓄电池/Battery

序号/NO	编码/SN	Name	名称	数量/QTY	备注/Remarks
1	281237010011	Battery 48V-7VBS455(bolt,kuaile)	牵引电池48V-7VBS455(螺)	1	FE3D16-18C
	281237010006	Battery 48V-7VBS490(bolt,kuaile)	牵引电池48V-7VBS490(螺)	1	FE3D16-18C
	281237010007	Battery 48V-7VBS560(bolt,kuaile)	牵引电池48V-7VBS560(螺)	1	FE3D16-18C
	281237010016	Battery 48V-7VBS630(bolt,kuaile)	牵引电池48V-7VBS630(螺)	1	FE3D16-18C
	281337010003	Battery 48V-8VBS560(bolt,kuaile)	牵引电池48V-8VBS560(螺金快乐)	1	FE3D20C
	281337010004	Battery 48V9VBS630(bolt,kuaile)	牵引电池48V-9VBS630(螺金快乐)	1	FE3D20C
2	281537012106	3D18N-48V-300(H)	赣锂51.2V277GF1加热国内3D	1	
	281537012107	3D18N-48V-400(H)	赣锂51.2V412GF1加热国内3D	1	
	281537012108	3D18N-48V-554(H)	赣锂51.2V554GF1加热国内3D	1	
	281537012112	3D18N-48V-300	赣锂51.2V277GF1国内3D	1	
	281537012113	3D18N-48V-400	赣锂51.2V412GF1国内3D	1	
	281537012114	3D18N-48V-554	赣锂51.2V554GF1国内3D	1	
	281537013101	3D18N-48V-300-W	赣锂51.2V277GF2国际3D	1	
	281537013102	3D18N-48V-400-W	赣锂51.2V412GF2国际3D	1	
	281537013113	3D18N-48V-400-W	赣锂51.2V412GF2-REMA国际3D	1	
	281537013103	3D18N-48V-554-W	赣锂51.2V554GF2国际3D	1	
	281537013104	3D18N-48V-300-W(H)	赣锂51.2V277GF2加热国际3D	1	
	281537013105	3D18N-48V-400-W(H)	赣锂51.2V412GF2加热国际3D	1	
	281537013106	3D18N-48V-554-W(H)	赣锂51.2V554GF2加热国际3D	1	
	281537013107	3D18N-48V-300-W	赣锂51.2V277GF2安德森3D	1	
	281537013108	3D18N-48V-400-W	赣锂51.2V412GF安德森3D	1	
281537013109	3D18N-48V-554-W	赣锂51.2V554GF2安德森3D	1		
281537013110	3D18N-48V-300-W(H)	赣锂51.2V277GF2加热安德森3D	1		
281537013111	3D18N-48V-400-W(H)	赣锂51.2V412GF2加热安德森3D	1		
281537013112	3D18N-48V-554-W(H)	赣锂51.2V554GF2加热安德森3D	1		
3	921000200080	Charger SN48V80A	充电器SN48V80A(亚英/欧)	1	铅酸560/630Ah
	921000200560	Charger SN48V80A(3P 220V)	充电器SN48V80A(美式三相220V)	1	铅酸560/630Ah
	921000200084	Charger SN48V80A(3P 480V)	充电器SN48V80A(美式三相480V)	1	铅酸560/630Ah
	921000200158	Charger SN48V65A	充电器SN48V65A(亚英/欧)	1	铅酸490/455Ah
	921000200567	Charger SN48V65A(3P 220V)	充电器SN48V65A(美式三相220V)	1	铅酸490/455Ah
	921000200502	Charger SN48V65A(3P 480V)	充电器SN48V65A(美式三相480V)	1	铅酸490/455Ah

